



idcom

Midland Combustion Storage Tank Heaters

Midcom Storage Tank Heaters are manufactured from 40mm N/B ASTM A 106 grade B seamless pipe.

As standard practice when completed they are subject to 10% radiographic examination in addition to a minimum hydraulic test pressure of 35bar for a period of one hour.

Tank Heaters are used in a variety of applications where conventional heavy fuels, high viscosity crude oils, coal tar, bitumen, mineral oils are stored.

The heating process can include maintaining the tank contents at a set temperature or to raise the temperature of the stored liquid in a set time.

Individual Tank modules are designed to pass through a standard 600mm diameter manhole.

Benefits of Midcom Modular Tank Heaters:-

- Dramatically reduces welding times.
- In house examinations.
- Hydraulic testing.
- X ray of welded joints.
- Used on new or existing tanks where the only access is through an existing man way.

Forward the following information for a design consideration:-

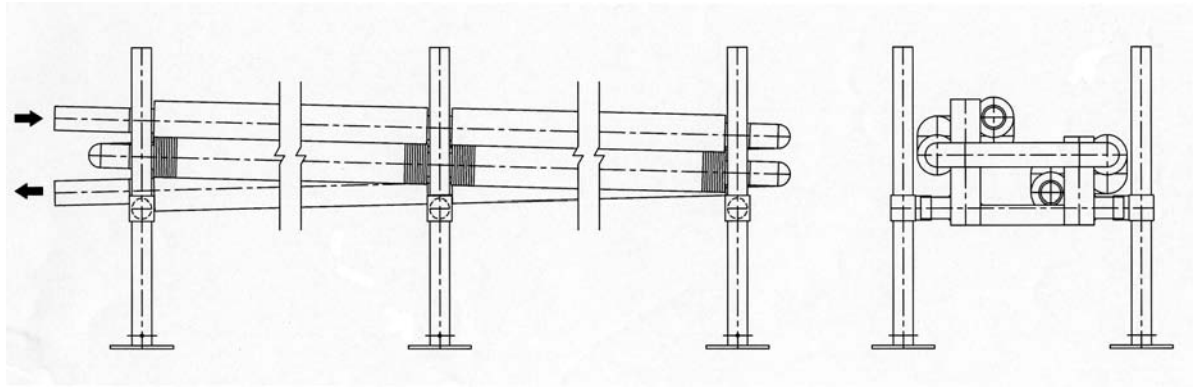
- Medium to be stored.
- Storage tank physical dimensions.
- Is the tank insulated.
- Do you want to hold the temperature or raise the temperature and hold at the raised temperature.

Fuel Oils	Viscosity @ 50°C	Minimum Storage Temperature	Minimum Pumping Temperature @ Outflow Heater Outlet
Class F	110	25°C	30°C
Class G	380	40°C	50°C
Class H	600	45°C	55°C
Bitumen		150°C	150°C



idcom

Midland Combustion Storage Tank Heaters



Midcom Code	Tube Nominal Bore	Fins	Surface Area Sq Mtrs	Average kW Output Using Steam @ 3.5barg
TH50/4	50mm	19.05mm	42.75	375
TH40/4	40mm	15.875mm	29.75	265



idcom

Midland Combustion Storage Tank Heaters

Typical Arrangement of Storage Tank Heaters

Bitumen Storage Tanks, Light Oil Storage Tanks, Heavy Fuel Oil Storage Tanks.

Midcom welded, finned tube storage tank heating systems give optimum economy in operational services and during installation.

Special designs and mounting methods are included to give remarkable internal thermal circulation, whilst minimising the space taken up within the tank.

Use **Midcom** Tank Heaters for new or existing tanks.

Tank Plan View

