



**Midcom** Duplex/Simplex Pumping and Filtering Units have been designed and supplied to a World Wide customer base for over 50 years.

The **Midcom** Fuel Oil Pumping and Filtering Units are totally self-contained fully piped, electrically connected and mounted on a steel base with save all catchment tray. The tray incorporates lifting arrangement and holding down points. Electrical earthing point is provided and the electric motors are bonded to steelwork to comply with legislation.

Turnkey systems often come complete with motorised pumps, filter, instrumentation and motor control all ready for immediate connection and operation on site.

Standard units are provided with suction strainers. Duplex are offered as options.

Products are run tested in the test cell before they leave the factory.

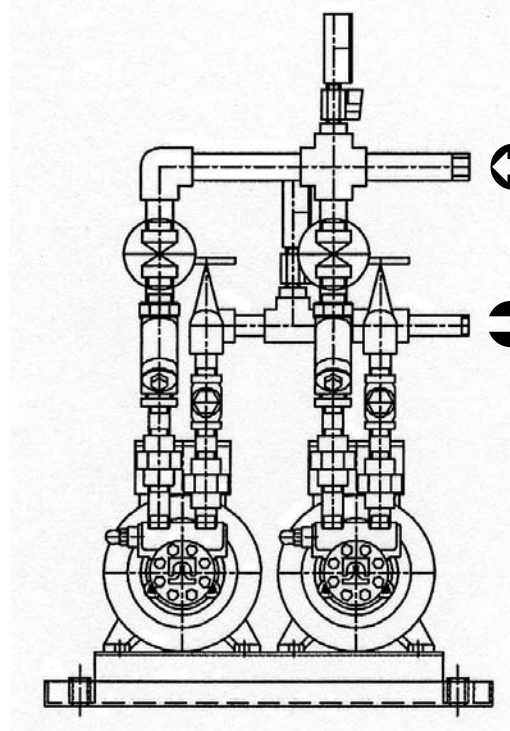
**Technical information for Pumping Oils**

<b>Fuel Oils</b>	<b>Pumping Temperature</b>	<b>Filtration</b>
Class D	Ambient	250 Microns



idcom

## Midland Combustion Smaller Duplex or Simplex Diesel Oil Pumping & Pressurizing Units



Midcom Pumping Set Type	Capacity for Diesel Oil. Discharge Pressure 3.5 Barg l/hr	Motor Rating IP55 1450 RPM kW	Electric Control Panel Reference
MC/00LE/P2/1/3HP	168	0.25	MC/CP/00LE/P2
MC/0LE/P2/1/3HP	313	0.25	MC/CP/0LEV/P2
MC/1LE/P2/1/2HP	492	0.37	MC/CP/1LEV/P2
MC/2LE/P2/3/4HP	964	0.55	MC/CP/2LEV/P2

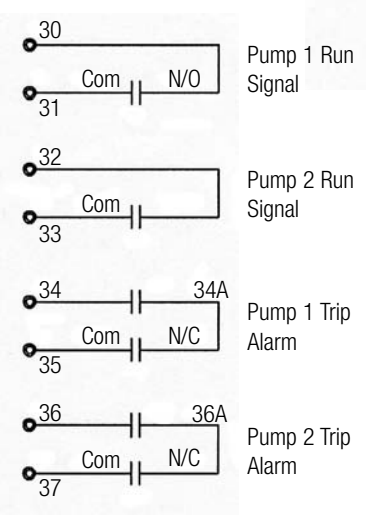
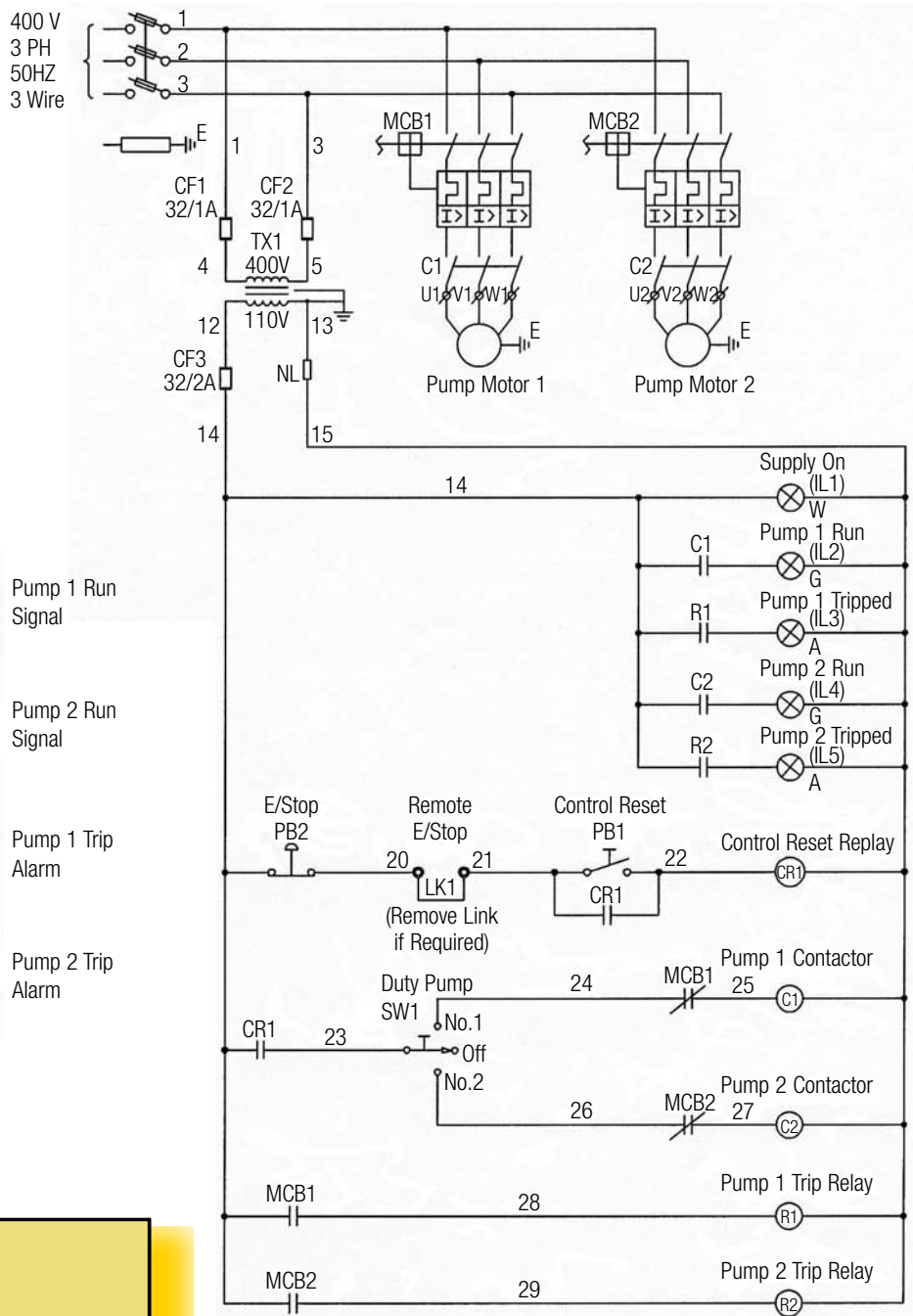




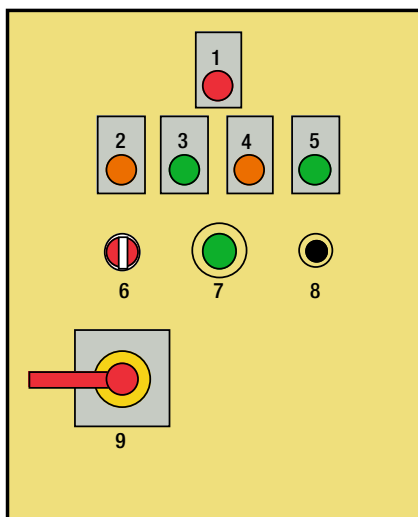
Midcom

# Midland Combustion Smaller Duplex or Simplex Diesel Oil Pumping & Pressurizing Units

## Electrical Wiring Diagram



Last Wire No.37



## Door Layout for 2 Pump IP65 Control Panel

1. Supply On Light (IL1)
2. Pump No.1 Run Light (IL2)
3. Pump No.2 Run Light (IL4)
4. Pump No.1 Tripped Light (IL3)
5. Pump No.2 Tripped Light (IL5)
6. Duty Pump Select Switch SW1 – No.1/Off/No.2
7. E – Stop PB2
8. Control Reset PB1
9. Fuse Switch Handle